
PT320B BEAM



Product parameters

OPTICS

Source: Philips Platinum 15R, 320W

CT:8000K

Life: 2,000H

MOVEMENT

Pan movement: 540 ° /630 ° optional (16 bit)

Tilt movement: 270 ° (16 bit)

Advanced motion system: auto repositioning, fast, quiet and smooth

COLORS

1 Color wheel: 8 dichroic filters + open



GOBOS

- 1 Rotating gobo wheel: 8 interchangeable + open
- 1 Static gobo wheel: 13 + open

FEATURES

- Rotating prism: 8 facet prism (standard), 5 facet prism(optional)
- Focus
- Shutter: mechanical, variable from 1-25Hz or random
- Dimmer: 0%-100% linear dimming
- Frost: 0-100%
- Beam angle: 4.8 °

DISPLAY

- Battery operated for fast addressing
- 15 second standby auto lock
- Pan/ Tilt disengage (hold MENU and ENTER button)

SOFTWARE

- Upgrades: fast and convenient using uploader over DMX
- Remote reset DMX address, lamp control, fixture reset, sound control by DMX
- Run time of lamp and fixture
- 3 Control channel modes: 16/14/22 channels

OTHER SPEC

- Input signal isolation
- Auto thermal protection circuit
- Optional installed wireless receiver
- RDM compatible

POWER

- AC100-240V, 50/60HZ

DIMENSIONS AND WEIGHT



Packing dimension: 66 x 50.5 x 46.5 cm

Net weight: 22.5kgs

Gross weight: 25.5kgs

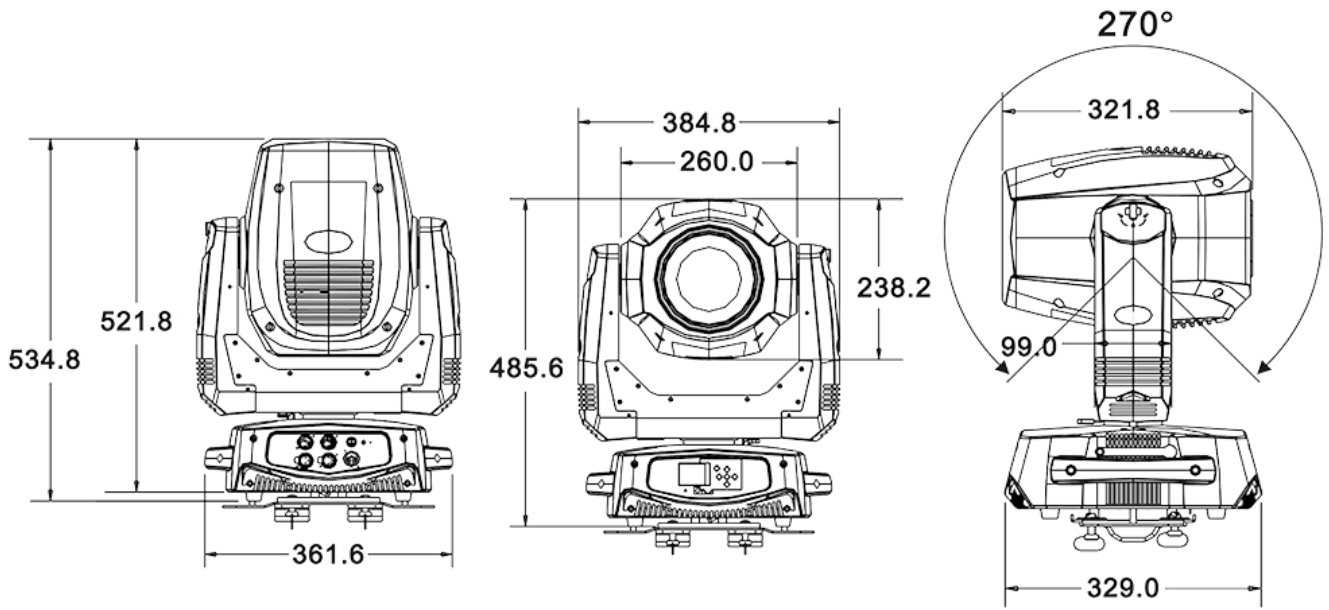
Colours/ Gobos

COLOR WHEEL: 

ROTATING GOBO WHEEL: 

STATIC GOBO WHEEL: 

Dimensions



Photometrics

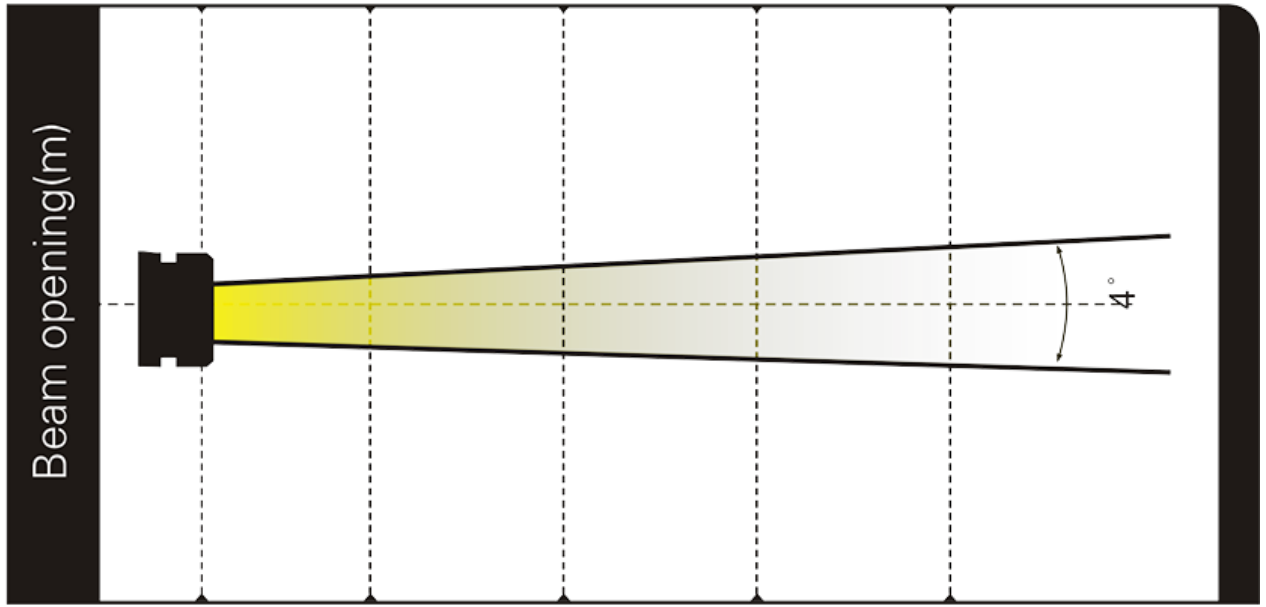


Intensity LUX

79620

44430

28340



Distance(m)

15

20

25

Diameter(m)

Φ 1.12

Φ 1.50

Φ 1.88

Errors and omissions are possible. All specifications are subject for change without prior notice.