
LB70V



Product parameters

70 x 3W LEDs: RGBWA each 14pcs

Extremely Long Life: 100,000H and low power consumption

5 DMX channel modes: 4/5/8/11/35 channels

3 operational modes: DMX-512, Master/Slave & Sound Active

Strobe effect with 1-25 flashes per second and pulse effect

Auto adjust LED's hue, saturation, intensity, color temperature to get more true and vivid color

Excellent color mixing and rainbow effect

Color temperature adjustable from 2700K-7200K

Friendly blue LCD display

8 pre-built programs can be selected

Beam angle: 16 ° , field angle: 35 ° (Standard)



Beam angle: 10 ° , field angle: 26 ° (Optional)

Optional remote controller for simple control of color selection, shutter and dimmer

Fan automatically control function: according to the airframe temperature the fan will automatically adjust its speed, in order to achieve reasonable cooling to protect LEDs

Software upgrade: through DMX cable conveniently, quickly upgrade software

Power: AC100-240V,50/60HZ

Packing Dimension: 64x24x30cm

Net Weight: 7kgs

Gross Weight: 9kgs

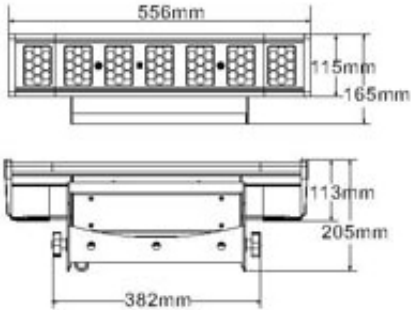
Colours/ Gobos

:

:

:

Dimensions



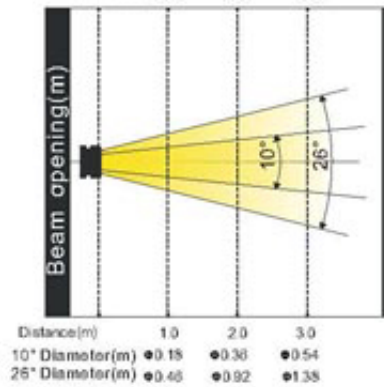
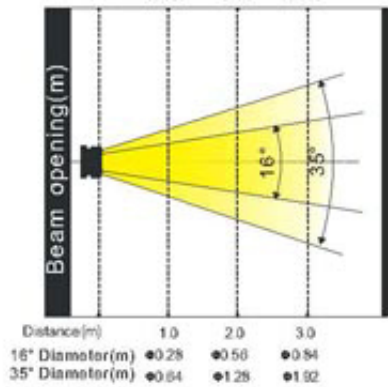
Photometrics

Beam angle 16°
Field angle 35° (LENS 25°)

Intensity LUX	Red Led:	Green Led:	Blue Led:	White Led:	Amber Led:	Full Led:
	2339	4320	1050	4577	3734	14100
	677	1475	380	1556	1248	5300
	480	797	208	805	684	2820

Beam angle 10°
Field angle 26° (LENS 15°)

Intensity LUX	Red Led:	Green Led:	Blue Led:	White Led:	Amber Led:	Full Led:
	3232	5267	1110	5549	4562	18420
	1228	2212	480	2150	1430	7700
	710	1228	269	1182	1015	4030



Errors and omissions are possible. All specifications are subject for change without prior notice.