

---

## GLW740 LED WASH



### Product parameters

#### Optical system

Source: 7x40W RGBL LED, optional RGBW

LED life expectancy : 50,000h

Fixture output: 5000lm(RGBW)

#### Movement

Pan: 540 ° /630 ° optional(16 bit)

Tilt: 250 ° (16 bit)

Auto X/Y repositioning

#### Color system

RGBL color mixing, optional RGBW



---

Color temperature linear: 2700K to 8000K, Color temperature presets: 2700K, 3200K, 4300K, 5600K, 6500K, 8000K

Built-in LEE & ROSCO colored paper

Built-in multiple effects macros

#### Effects

Zoom range: 3.5 ° -38 ° (beam angle) , 6.5 ° -45 ° (field angle)

Dimming: 0-100% linear dimming

Strobe: electronic, variable from 1-25Hz or pulse

Pixel control

GAMMA: 2.0, 2.2, 2.4, 2.6, 2.8, to fit different visual linearity requirements

Refresh rate: 1000-25,000Hz

#### Protection rating

IP20

#### Display

Battery operated for fast addressing, 15 seconds standby auto lock Pan/ tilt disengage (hold Left and Right buttons)

Pan/tilt disengage (hold left and right arrow buttons)

#### Software

Upgrade with DMX

Remote reset DMX address and fixture by DMX

3 Control channel Modes: 24/12/51CH

#### Control

Optional Installed wireless receiver

Art-Net control

Kling-Net protocol

RDM protocol

#### Electric parameter

AC100-240V, 50/60Hz



Power: 400W

### Dimension and weight

Product dimension: 282.4x199.5x344.5mm

Packing dimension (carton): 430x360x295mm

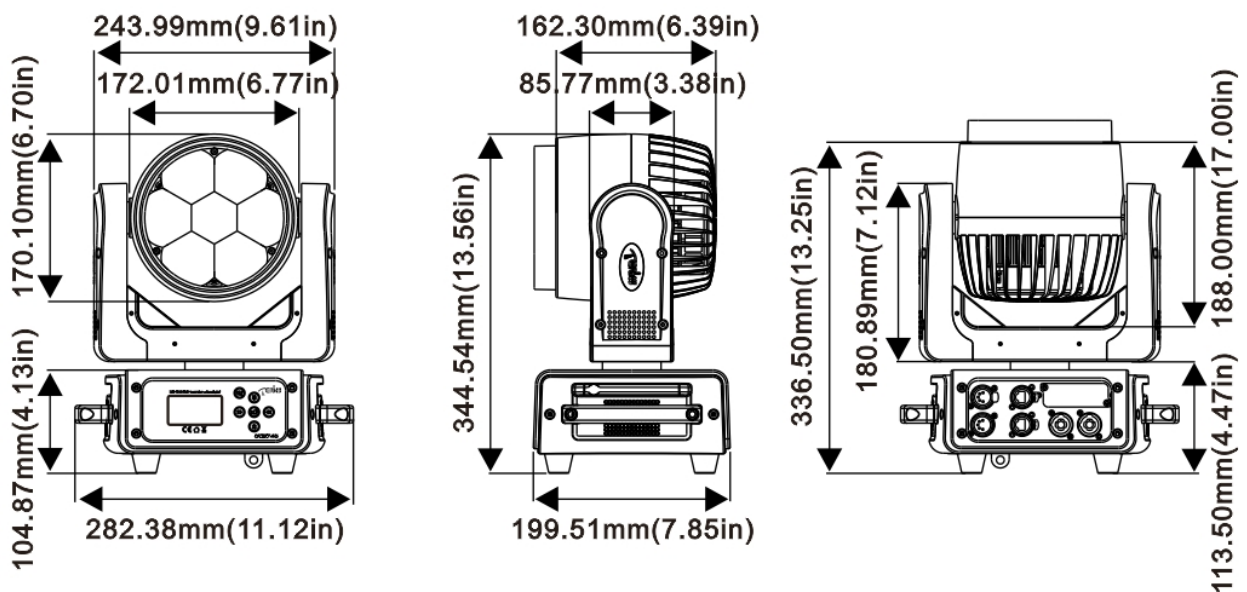
Net weight: 6.2kg

Gross weight (carton): 9.2kg

### Colours/ Gobos

:  
:  
:

### Dimensions



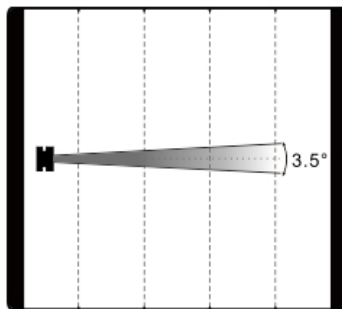


# Photometrics

## RGBL

Min. Beam angle 3.5°

Red leds	2677	669	297	167
Green leds	6919	1729	768	432
Blue leds	1758	439	195	110
Lemon leds	9209	2302	1023	576
Full leds	17895	4474	1988	1118

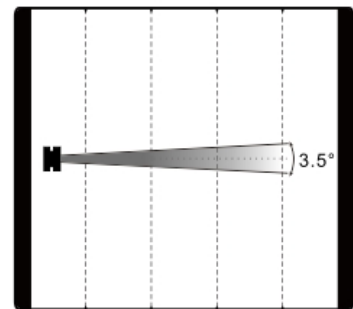


Distance(m)	5	10	15	20
Diameter(m)	Φ0.51	Φ1.02	Φ1.53	Φ2.04

## RGBW

Min. Beam angle 3.5°

Red leds	2450	612	272	153
Green leds	6150	1537	311	118
Blue leds	1380	345	153	86
White leds	8050	2012	894	503
Full leds	16300	4075	1811	1019

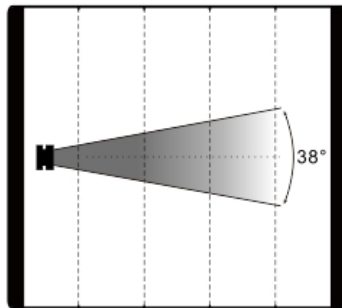


Distance(m)	5	10	15	20
Diameter(m)	Φ0.31	Φ0.62	Φ0.93	Φ1.24

## RGBL

Max. Beam angle 38°

Red leds	91	23	10	6
Green leds	234	59	26	15
Blue leds	59	15	7	4
Lemon leds	308	77	34	19
Full leds	599	150	67	37

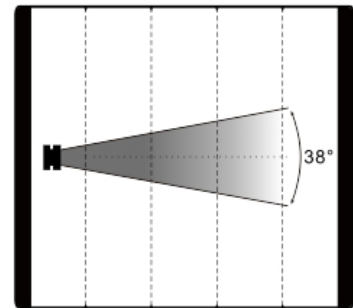


Distance(m)	5	10	15	20
Diameter(m)	Φ4.11	Φ8.22	Φ12.33	Φ16.44

## RGBW

Max. Beam angle 38°

Red leds	75	19	8	5
Green leds	190	48	21	12
Blue leds	43	11	5	3
White leds	230	58	26	14
Full leds	467	117	52	29



Distance(m)	5	10	15	20
Diameter(m)	Φ3.44	Φ6.88	Φ10.32	Φ13.76

Errors and omissions are possible. All specifications are subject for change without prior notice.