
GL750PH (Super Silent) LED PROFILE



Product parameters

Optical system

Source: 600W white LED

Fixture CT: 6000K

LED life expectancy : 20000 hrs (L70)

CRI: Ra 95, R9 90

Fixture output: 22000lm

Movement

Pan: 540 ° (16 bit)

Tilt: 270 ° (16 bit)

Auto pan/tilt repositioning



Color system

CMY+CTO color mixing

1 Color wheel: 7 dichroic filters+open

Gobo system

1 Rotating gobo wheel: 7 interchangeable gobos+ open

1 Static gobo wheel: 9 interchangeable gobos + open

1 Animation wheel

Effects

Motorized focus

Zoom range : 3.5 ° -53 °

Auto focus

2 Rotating prisms: 4-facet liner prism + 5-facet circular prism, used only or overlap, indexable, rotating in both directions

Frost: light frost, heavy frost and light+heavy frost

4 individually positionable blades with $\pm 90^\circ$ rotation of the complete framing system

Iris : 5%-100% open

Dimming : 0-100% linear dimming

Strobe: electronic, variable from 1-25Hz or pulse

Protection rating

IP20

Display

LCD Display

Pan/tilt disengage (hold Left and Right buttons), support to complete the reset detection in the flight case

Software

Upgrade with DMX

Remote reset DMX address and fixture by DMX

Run time of fixture and light source



2 Control channel modes: 40/62CH

Control

Input signal isolation

Auto thermal protection

Optional wireless DMX

RDM protocol

Electric parameter

AC100-240V, 50/60Hz

Power consumption: 750W

Dimension and weight

Product dimension: 467x270x782mm

Net weight : 36kg

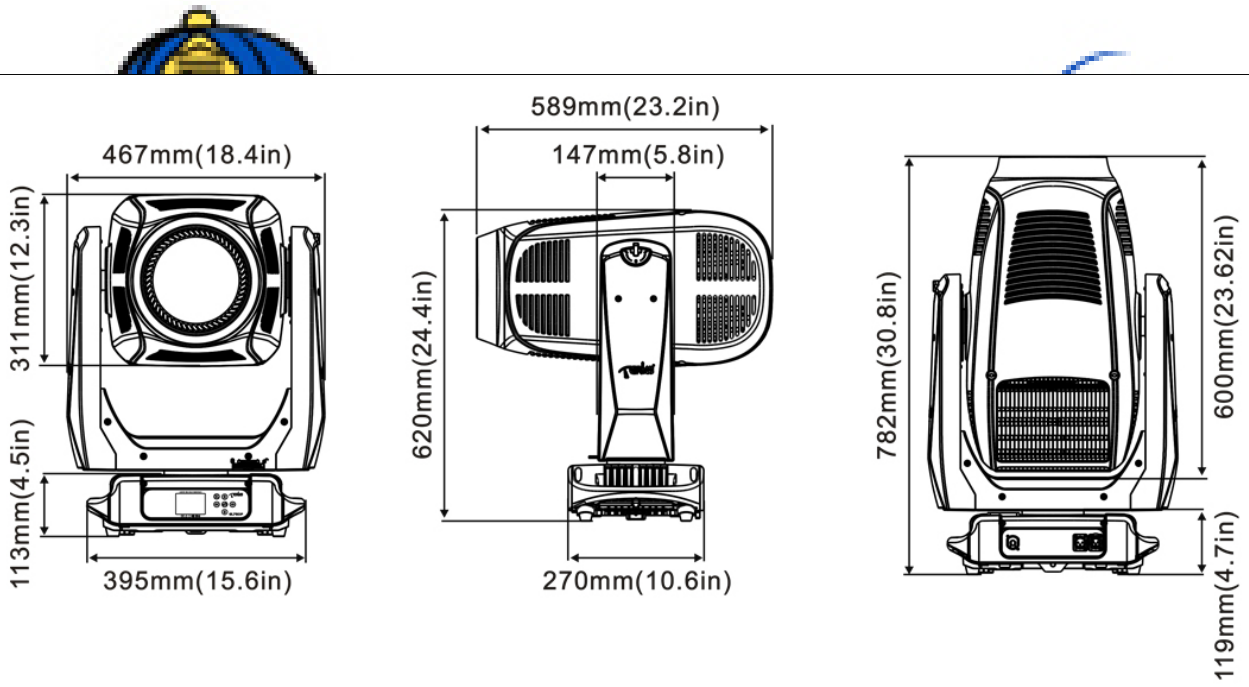
Colours/ Gobos

COLOR WHEEL: 

ROTATING GOBO WHEEL: 

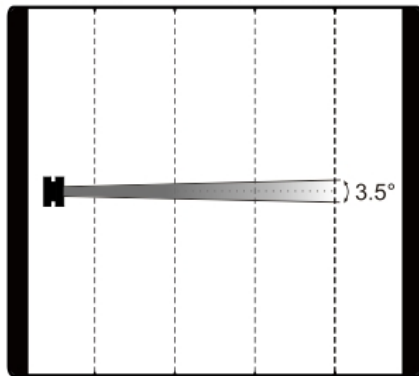
STATIC GOBO WHEEL: 

Dimensions



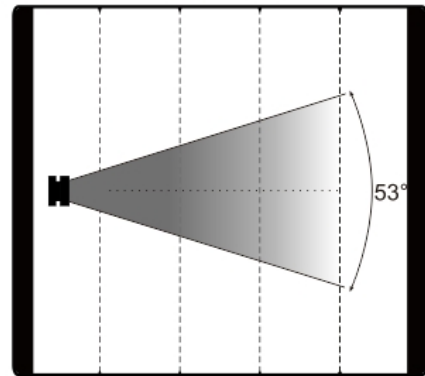
Photometrics

Intensity LUX (3.5°) 79208 19802 8801 4951



Distance(m) 5 10 15 20
Diameter(m) Φ 0.37 Φ 0.74 Φ 1.11 Φ 1.48

Intensity LUX (53°) 1297 324 144 81



Distance(m) 5 10 15 20
Diameter(m) Φ 4.61 Φ 9.22 Φ 13.83 Φ 18.44

Errors and omissions are possible. All specifications are subject for change without prior notice.