



GL3WP WASH WITH FRAMING



Product parameters

Optical system

Source: 380W White LED

Fixture CT: 6000K

Light source life expectancy : 20,000h

CRI: up to 95

Fixture Output: 15800lm (Plano convex glass lens), 13800lm (Fresnel)

Optional lens: Plano convex glass lens or Fresnel

Movement

Pan: 540 ° /630 ° optional(16 bit)

Tilt: 270 ° (16 bit)

Auto X/Y repositioning



Color system

CMY+CTO color mixing

1 Color wheel: 7 dichroic filters +open

Effects

Motorized focus

Zoom range: 17 ° - 63 °

Frost

4 individually positionable blades with $\pm 45^\circ$ rotation of the complete framing system

Dimming: 0-100% linear dimming

Strobe: electronic, variable from 1-25Hz or pulse

Protection rating

IP20

Display

Battery operated for fast addressing, 15 seconds standby auto lock

Pan/tilt disengage (hold Left arrow and Right arrow buttons)

Software

Upgrade with DMX and USB as optional

Remote reset DMX address and fixture by DMX

Run time of fixture and light source

3 Control channel modes: 26/28/41CH

Control

Input signal isolation

Auto thermal protection circuit

Optional installed wireless receiver

Art-Net control

RDM protocol



Electric parameter

AC100-240V, 50/60Hz

Power: 600W

Dimension and weight

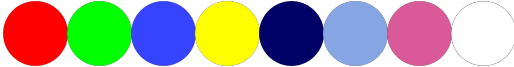
Product dimension: 407x326x677mm

Packing dimension (double flightcase): 965x575x930mm

Net weight: 25kg

Gross weight (double flightcase): 104.5kg

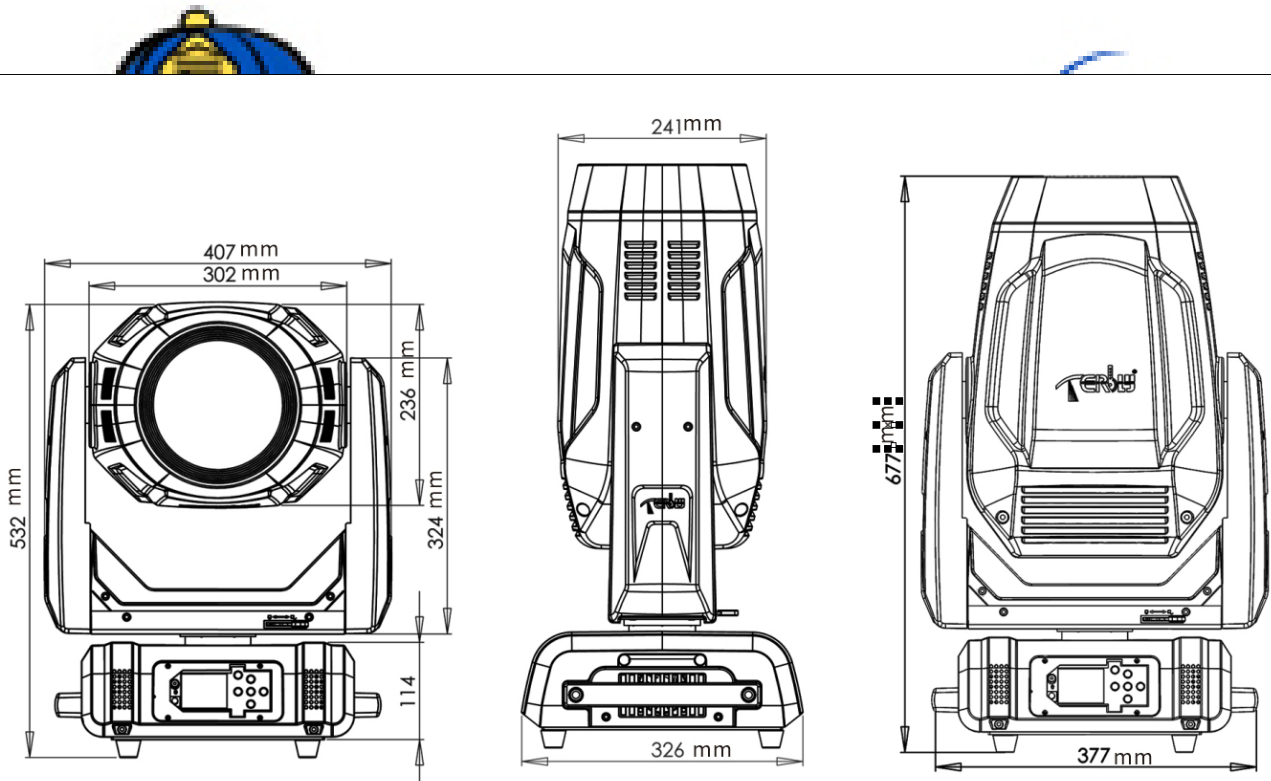
Colours/ Gobos

COLOUR WHEEL: 

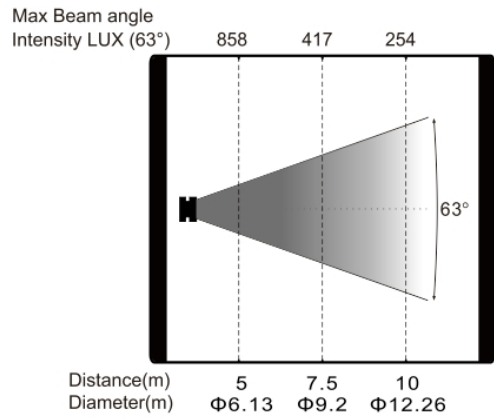
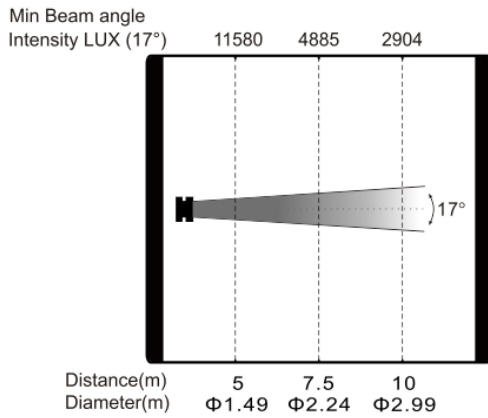
:

:

Dimensions



Photometrics



Errors and omissions are possible. All specifications are subject for change without prior notice.