
GL10WP (GL10WPH) LED WASH PROFILE



Product parameters

Optical system

Source: 1000W White LED

Fixture CT: 5700K

Lamp life expectancy : 20,000h

CRI: GL10WP 74 (High CRI Version GL10WPH : up to 90)

Fixture output: 41,300lm (High CRI Version GL10WPH : 31,300lm)

Movement

Pan: 540 ° /630 ° optional(16 bit)

Tilt: 270 ° (16 bit)

Auto X/Y repositioning



Color system

CMY+RGB+CTO color mixing

2 Color wheels: each with 6 interchangeable dichroic filters + open

Gobo system

1 Rotating gobo wheel: 7 interchangeable gobos + open. Gobo OD: 30mm

Effects

Motorized focus

Zoom range: beam mode: 5 ° - 47.5 ° (GL10WP/GL10WPH), wash mode:
11 ° -52 ° (GL10WP), 11 ° -55 ° (GL10WPH)

Auto focus

Frost: light frost, mid frost, heavy frost

4 individually positionable blades with $\pm 45^\circ$ rotation of the complete framing system

Iris

Dimming: 0-100% linear dimming

Strobe: electronic, variable from 1-25Hz or pulse

Protection rating

IP20

Display

Battery operated for fast addressing, 15 seconds standby auto lock

Pan/tilt disengage (hold Left arrow and Right arrow buttons)

Software

Upgrade with DMX and USB as optional

Remote reset DMX address and fixture by DMX

Run time of fixture and light source

3 Control channel modes: 39/37/62CH

Control

Input signal isolation




Optional installed wireless receiver
Art-Net control
RDM protocol

Electric parameter
AC100-240V, 50/60Hz
Power: 1350W

Dimension and weight
Product dimension: 46.6x36.8x85.0cm
Packing dimension (carton): 97.5x57.5x50.5cm
Net weight: 49.5kgs
Gross weight (carton): 56.0kgs

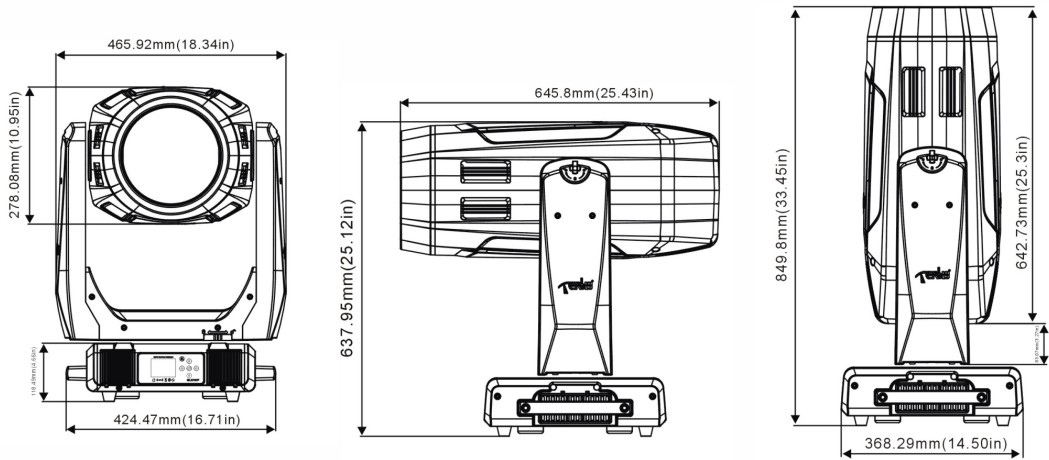
Colours/ Gobos

COLOR 1: 

COLOR 2: 

ROTATING GOBOS: 

Dimensions



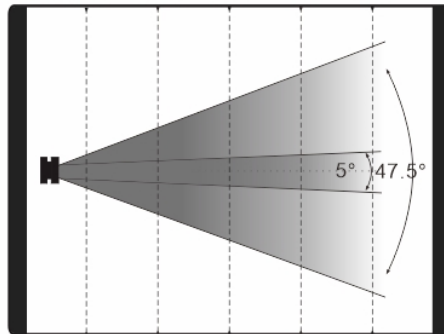
Photometrics



GL10WP

Beam angle

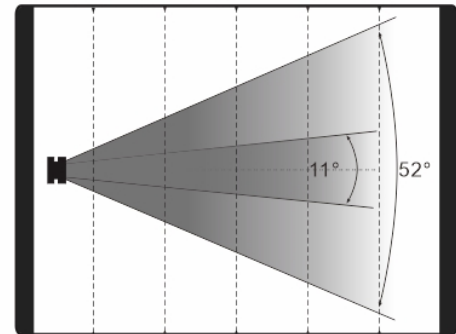
Intensity LUX (5°)	260612	92380	23390	10430	5867
Intensity LUX (47.5°)	11677	4204	1234	613	345



Distance(m)	3	5	10	15	20
5° Diameter(m)	Φ0.3	Φ0.44	Φ0.88	Φ1.32	Φ1.7
47.5° Diameter(m)	Φ2.6	Φ4.4	Φ8.8	Φ13.2	Φ17.6

Wash angle

Intensity LUX (11°)	76188	29650	8064	3623	2038
Intensity LUX (52°)	8727	2764	807	399	224

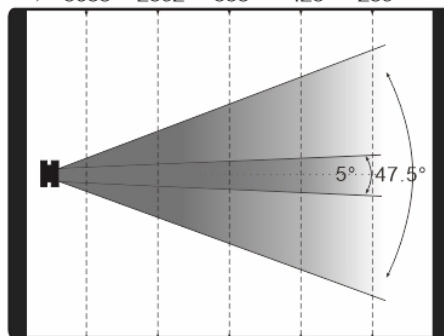


Distance(m)	3	5	10	15	20
11° Diameter(m)	Φ0.6	Φ1.0	Φ2.0	Φ3.0	Φ4.0
52° Diameter(m)	Φ2.9	Φ4.88	Φ9.76	Φ14.64	Φ19.5

GL10WPH

Beam angle

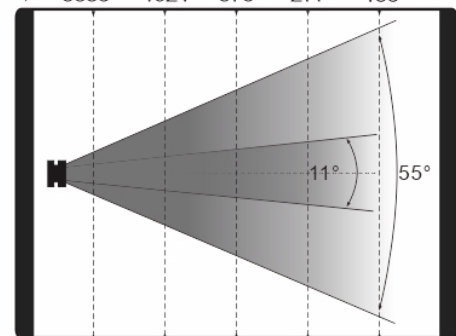
Intensity LUX (5°)	195944	70540	18180	8148	4583
Intensity LUX (47.5°)	8033	2892	863	425	239



Distance(m)	3	5	10	15	20
5° Diameter(m)	Φ0.3	Φ0.44	Φ0.88	Φ1.32	Φ1.7
47.5° Diameter(m)	Φ2.6	Φ4.4	Φ8.8	Φ13.2	Φ17.6

Wash angle

Intensity LUX (11°)	69222	24920	6366	2824	1589
Intensity LUX (55°)	5336	1921	576	277	156



Distance(m)	3	5	10	15	20
11° Diameter(m)	Φ0.6	Φ0.96	Φ1.92	Φ2.88	Φ4.0
55° Diameter(m)	Φ3.1	Φ5.2	Φ10.4	Φ15.6	Φ20.8

Errors and omissions are possible. All specifications are subject for change without prior notice.