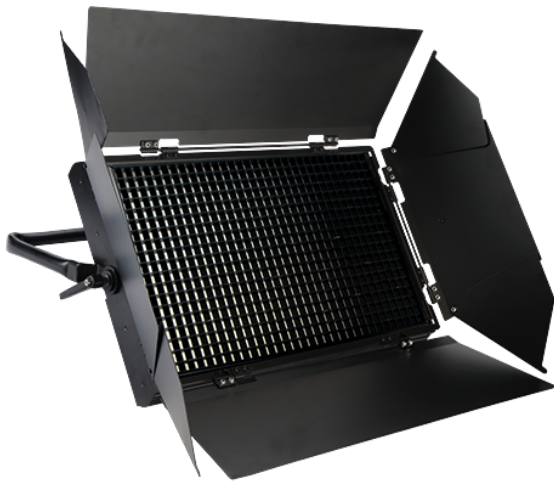

TP01 (CW/WW) LED PANEL



Product parameters

Optical system

Source: 180W White LED Engine

Fixture CT: 4900K (CW),3100W(WW), CT Calibration Available

CRI: up to 95

Fixture Output: 8000lm(CW),7300lm(WW)

Effects

Beam angle: 43 ° (Snap Grid 35 °) , field angle: 80 ° (Snap Grid 66 °)

Dimming: 0-100% linear dimming

Protection rating

IP20



Software

Upgrade with DMX

2 Control channel modes: 1/3CH

Control

Control:DMX 512/Manual Operation

RDM protocol

Electric parameter

AC100-240V, 50/60Hz

Power: 220W

Dimension and weight

Product dimension: 670x448.5x112mm

Packing dimension (carton): 775x565x225mm

Net weight: 11.2kg

Gross weight (carton): 13kg

Others

Optional Accessories:Barn doors, Angle Sheet, Snap Grid

Optional Hanging Type:Pole-control Yoke, Manual Rocker

Colours/ Gobos

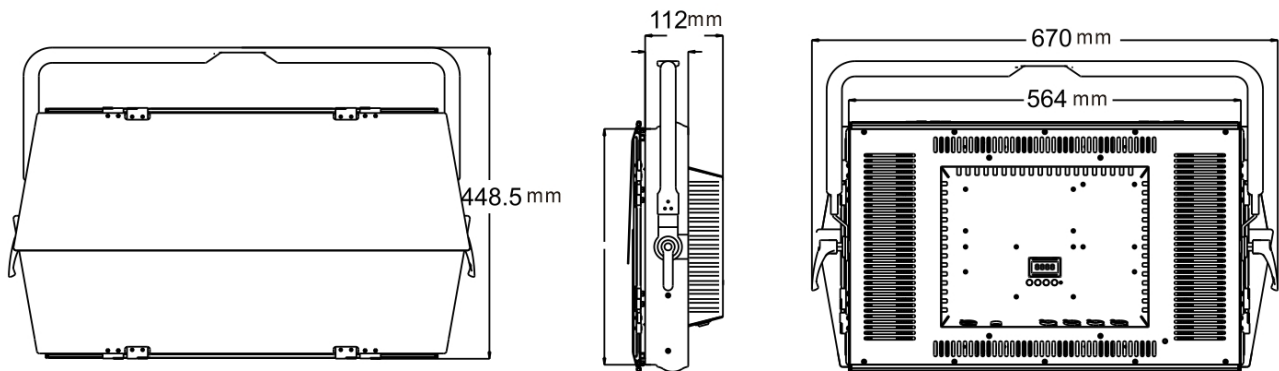
:

:

:



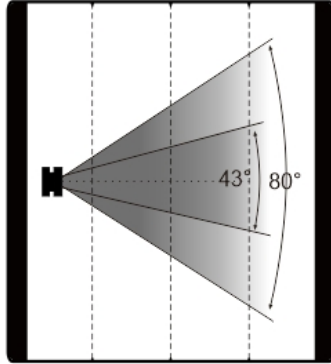
Dimensions



Photometrics

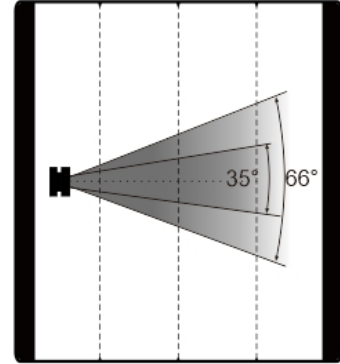


TP01(CW)
Intensity (LUX) 9150 2378 1091



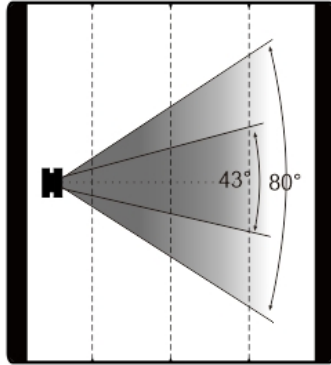
Distance(m) 1.0 2.0 3.0
Diameter(m) Φ 1.68 Φ 3.36 Φ 5.04

TP01(CW)
(with grid) Intensity (LUX) 6270 1720 774



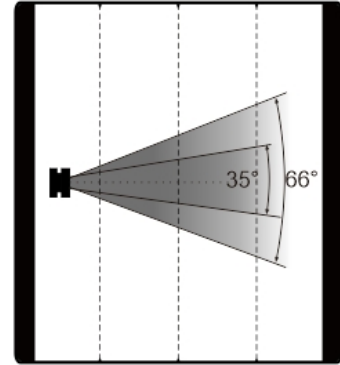
Distance(m) 1.0 2.0 3.0
Diameter(m) Φ 1.30 Φ 2.60 Φ 3.90

TP01(WW)
Intensity (LUX) 8812 2430 1126



Distance(m) 1.0 2.0 3.0
Diameter(m) Φ 1.68 Φ 3.36 Φ 5.04

TP01(WW)
(with grid) Intensity (LUX) 6090 1835 870



Distance(m) 1.0 2.0 3.0
Diameter(m) Φ 1.30 Φ 2.60 Φ 3.90

Errors and omissions are possible. All specifications are subject for change without prior notice.