



SL1000P IP LED PROFILE

SMART Series



Product parameters

Optical system

Source: 1000W White LED

Fixture CT: 6800K

Lamp life expectancy : 20,000h

CRI: 70 (SL1000PH IP: up to 95)

Fixture output: 50,000lm

Movement

Pan: 540 ° /630 ° optional(16 bit)

Tilt: 270 ° (16 bit)

Auto X/Y repositioning



Color system

CMY+CTO color mixing

1 Color wheel: 6 dichroic filters + open

Gobo system

1 Rotating gobo wheel: 6 interchangeable gobos + open. Gobo OD: 30mm

1 Static gobo wheel: 7 gobos + open

1 Animation wheel

Effects

Motorized focus

Zoom range: 7 ° -54 °

Auto focus

2 Rotating prisms: 4 linear + 4 facet

Frost: light frost, heavy frost

4 individually positionable blades with $\pm 45^\circ$ rotation of the complete framing system

Iris

Dimming: 0-100% linear dimming

Strobe: electronic, variable from 1-25Hz or pulse

Protection rating

IP66

Display

Battery operated for fast addressing, 15 seconds standby auto lock

Pan/tilt disengage (hold Left arrow and Right arrow buttons)

Software

Upgrade with DMX

Remote reset DMX address and fixture by DMX

Run time of fixture and light source

3 Control channel modes: 39/37/60CH



Control

Input signal isolation

Auto thermal protection circuit

RDM protocol

Electric parameter

AC220-240V, 50/60Hz

Power: 1350W

Dimension and weight

Product dimension: 457.4x331.6x825.3mm

Packing dimension (carton): 570x465x945mm

Net weight: 52.5kg

Gross weight (carton): 58.5kg

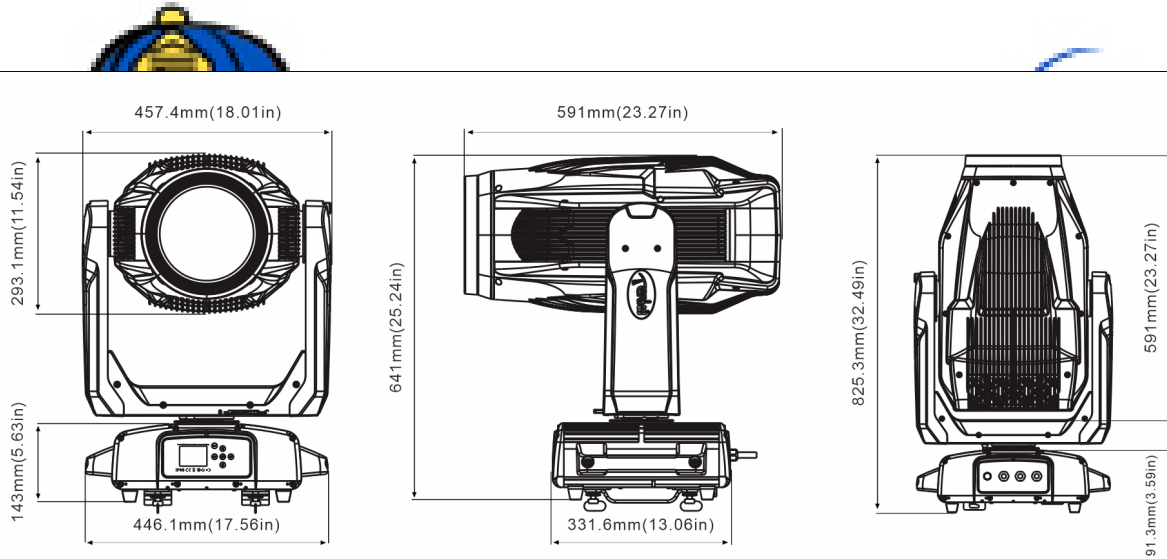
Colours/ Gobos

COLOR WHEEL: 

ROTATING GOBO WHEEL: 

STATIC GOBO WHEEL: 

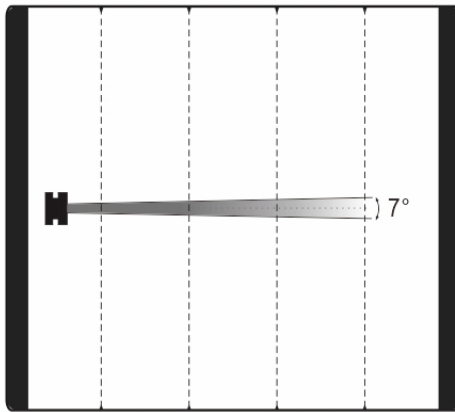
Dimensions



Photometrics

Min. Beam Mode
Intensity LUX (7°)

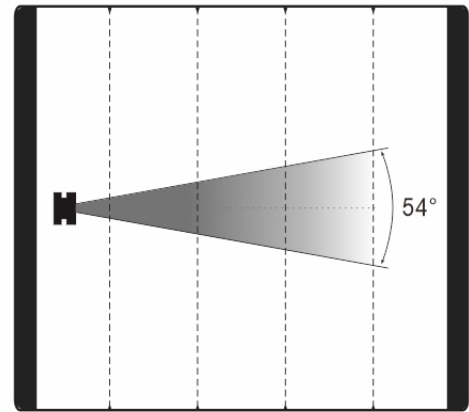
95096 23774 10566 5944



Distance(m) 5 10 15 20
Diameter(m) Φ 0.61 Φ 1.22 Φ 1.83 Φ 2.44

Max. Beam Mode
Intensity LUX (54°)

3020 755 336 189



Distance(m) 5 10 15 20
Diameter(m) Φ 5.07 Φ 10.14 Φ 15.21 Φ 20.28

Errors and omissions are possible. All specifications are subject for change without prior notice.