



T90H(CW/WW) LED PROFILE



Product parameters

Optical system

Source: 160W LED

Fixture CT: 5700K(CW), 3200K(WW)

Lamp life expectancy : 50,000h

CRI: up to 95 (CW, WW)

Fixture Output: 14,000lm(CW), 11,500lm(WW)

Optical angle: 26 ° (19 ° /36 ° /50 ° optional)

Effects

Dimming: 0-100% linear dimming

Strobe: electronic, variable from 1-25Hz

Gamma: 2.0, 2.2, 2.4, 2.6 , 2.8, to fit different visual linearity requirements



Refresh rate: 900-1,500Hz, 25,000Hz

Protection rating

IP20

Software

Upgrade with DMX

3 Control channel modes: 2/5/7CH

Control

RDM protocol

Electric parameter

AC100-240V, 50/60Hz

Power: 170W

Dimension and weight

Product dimension: 299.8x438.5x697.7mm

Packing dimension (carton): 575x395x355mm

Net weight: 7.4kg

Gross weight (carton): 9.7kg

Others

Flicker free

DMX connection: 3/5 pin in/out

Housing: Die-casting

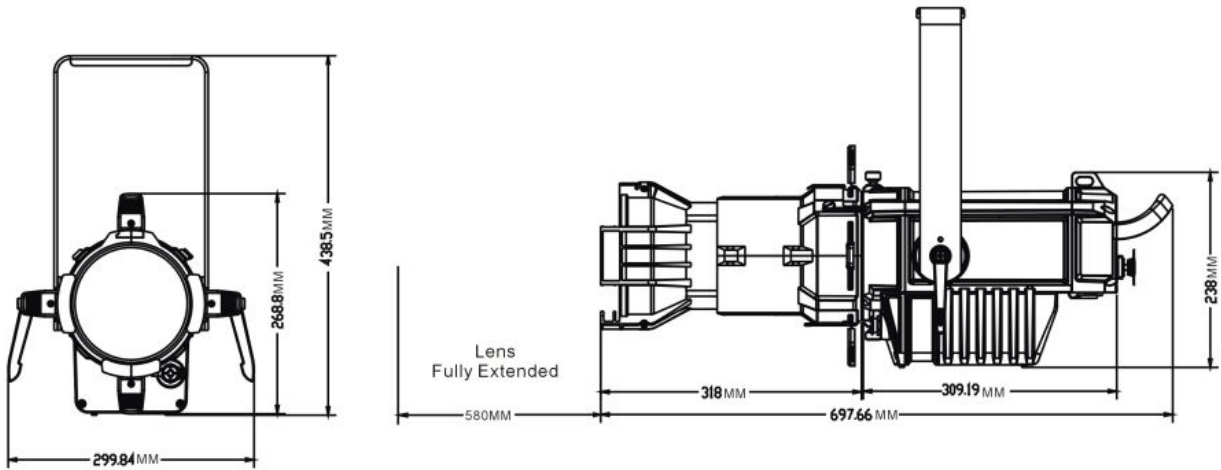
Colours/ Gobos

:

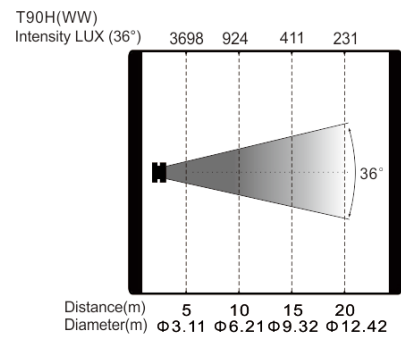
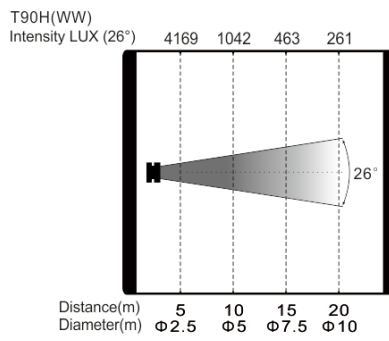
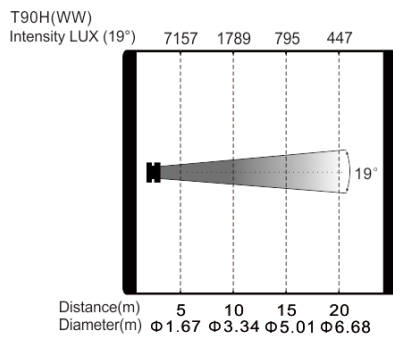
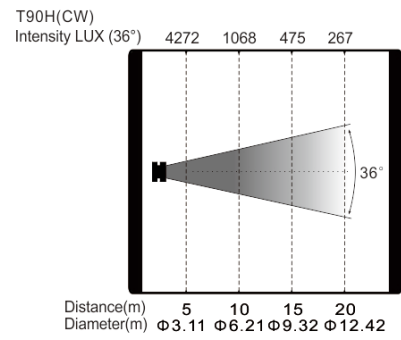
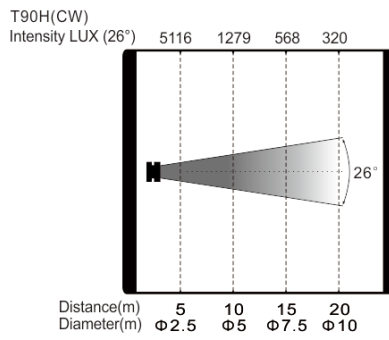
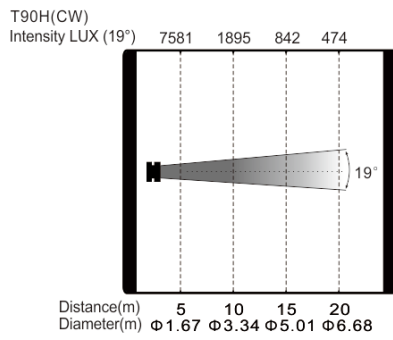
:



Dimensions



Photometrics



Errors and omissions are possible. All specifications are subject for change without prior notice.