



## GL10FX LED PROFILE



### Product parameters

#### Optical system

Source: 1000W White LED

Fixture CT: 5900K

Lamp life expectancy : 20,000h

CRI: 74 (High CRI Version GL10FXH: up to 90 )

Fixture output: 38,000lm (High CRI Version GL10FXH : 28,000lm )

#### Movement

Pan: 540 ° /630 ° optional(16 bit)

Tilt: 270 ° (16 bit)

Auto X/Y repositioning



---

## Color system

CMY+CTO color mixing

1 Color wheel: 6 interchangeable dichroic filters + open

## Gobo system

1 Rotating gobo wheel: 7 interchangeable gobos + open. Gobo OD: 30mm

1 Static gobo wheel: 7 interchangeable gobos + open

1 Animation wheel

## Effects

Motorized focus

Zoom range: 5.5 ° - 52.5 ° (GL10FX), 5.5 ° -53.5 ° (GL10FXH)

Auto focus

2 Rotating prisms: linear + 4 facet

Frost: light frost, heavy frost

4 individually positionable blades with  $\pm 45^\circ$  rotation of the complete framing system

Iris

Dimming: 0-100% linear dimming

Strobe: electronic, variable from 1-25Hz or pulse

## Protection rating

IP20

## Display

Battery operated for fast addressing, 15 seconds standby auto lock

Pan/tilt disengage (hold Left arrow and Right arrow buttons)

## Software

Upgrade with DMX and USB as optional

Remote reset DMX address and fixture by DMX

Run time of fixture and light source

3 Control channel modes: 39/37/60CH



## Control

Input signal isolation

Optional installed wireless receiver

Art-Net control

RDM protocol

## Electric parameter

AC100-240V, 50/60Hz

Power: 1420W

## Dimension and weight


Product dimension: 48.0x37.1x85.7cm

Packing dimension (carton): 97.5x57.5x50.5cm

Net weight: 44.0kgs

Gross weight (carton): 50.5kgs

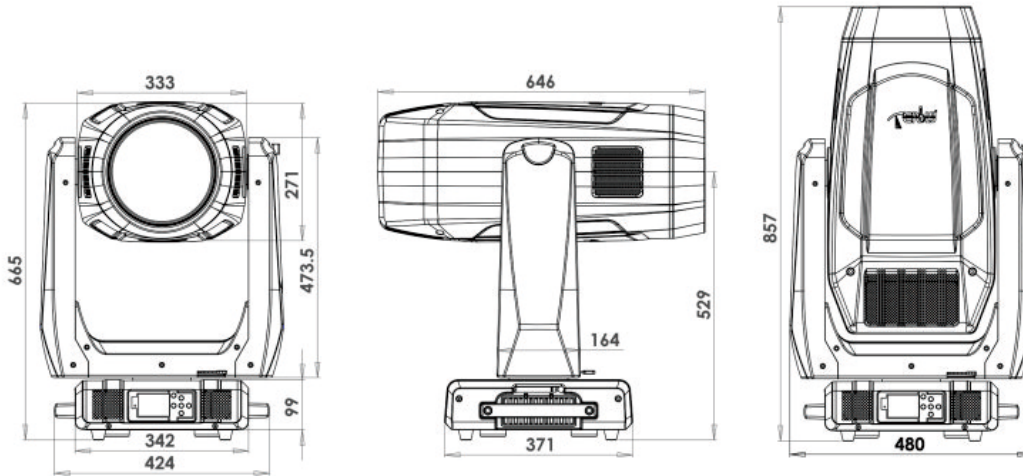
## Colours/ Gobos

COLOR WHEEL: 

ROTATING GOBO WHEEL: 

STATIC GOBO WHEEL: 

## Dimensions

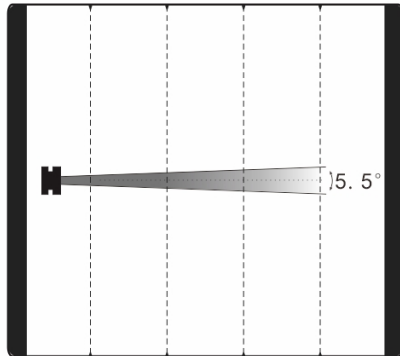


## Photometrics



### GL10FX

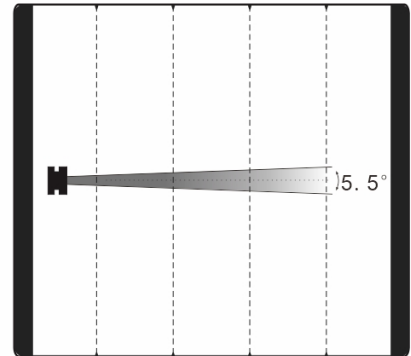
Intensity LUX (5.5°) 91590 22690 10170 5756



Distance(m) 5 10 15 20  
Diameter(m)  $\Phi$ 0.48  $\Phi$ 0.96  $\Phi$ 1.44  $\Phi$ 1.92

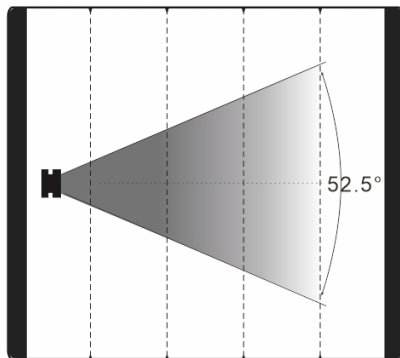
### GL10FXH

Intensity LUX (5.5°) 67610 17480 7749 4359



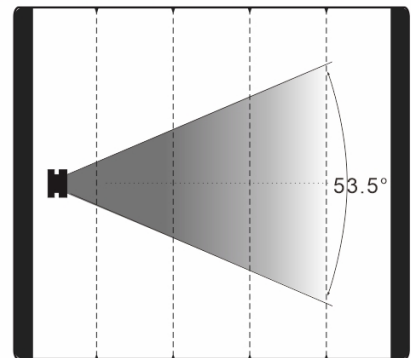
Distance(m) 5 10 15 20  
Diameter(m)  $\Phi$ 0.48  $\Phi$ 0.96  $\Phi$ 1.44  $\Phi$ 1.9

Intensity LUX (52.5°) 2686 800 396 231



Distance(m) 5 10 15 20  
Diameter(m)  $\Phi$ 4.93  $\Phi$ 9.86  $\Phi$ 14.79  $\Phi$ 19.72

Intensity LUX (53.5°) 2065 614 289 163



Distance(m) 5 10 15 20  
Diameter(m)  $\Phi$ 5  $\Phi$ 10  $\Phi$ 15  $\Phi$ 20

Errors and omissions are possible. All specifications are subject for change without prior notice.