



## V4000P PROFILE



### Product parameters

#### Optical system

Source: OSRAM Lok-it! 1400W/PS

Fixture CT: 6300K

Lamp life expectancy : 750h

CRI: 95

Fixture output: 31,000lm

#### Movement

Pan: 540 ° /630 ° optional(16 bit)

Tilt: 270 ° (16 bit)

Auto X/Y repositioning



---

## Color system

CMY+CTO+CTB color mixing

1 Color wheel: 5 interchangeable dichroic filters + open

## Gobo system

2 Rotating gobo wheels: each with 7 interchangeable gobos + open. Gobo OD: 30mm

1 Animation wheel

## Effects

Motorized focus

Zoom range: 6.5 ° -55 °

Auto focus

1 Rotating prism: 3 facet prism

Frost: light frost, Heavy frost

4 individually positionable blades with  $\pm 45^\circ$  rotation of the complete framing system

Iris

Dimming: 0-100% linear dimming

Shutter: mechanical, variable from 1-25Hz or random

## Protection rating

IP20

## Display

Battery operated for fast addressing, 15 seconds standby auto lock

Pan/tilt disengage (hold Left arrow and Right arrow buttons)

## Software

Upgrade with DMX or USB as optional

Remote reset DMX address and fixture by DMX

Run time of fixture and light source

3 Control channel modes: 40/38/62CH



## Control

Input signal isolation

Auto thermal protection circuit

Art-Net control

RDM protocol

## Electric parameter

AC200-240V, 50/60Hz

Power: 1800W

## Dimension and weight

Product dimension: 467x368x821mm

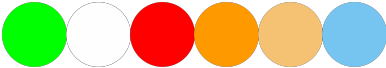
Packing dimension (carton): 580x505x945mm

Net weight: 43kg

Gross weight (carton): 49.5kg

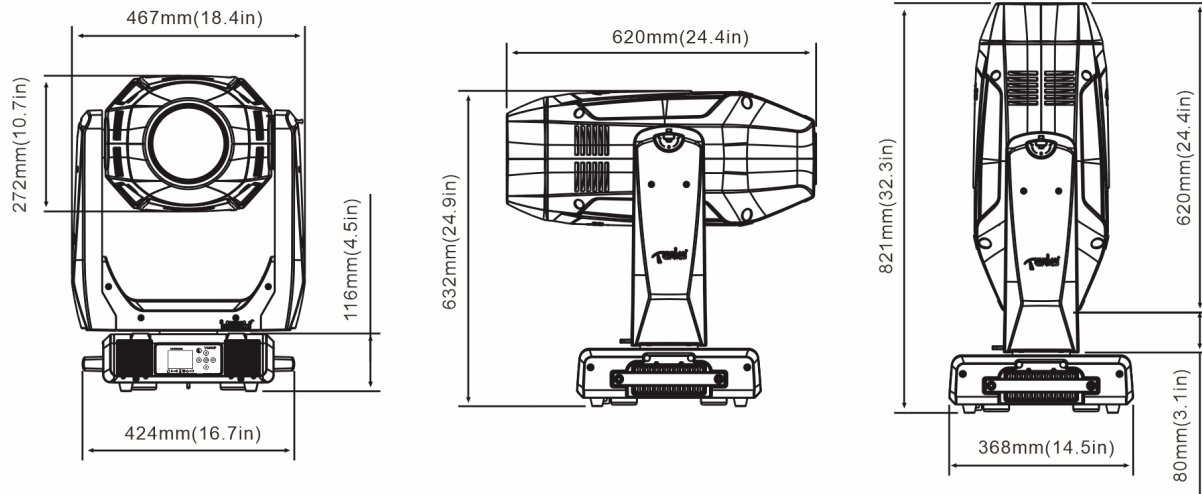
## Colours/ Gobos

:

COLOR WHEEL: 

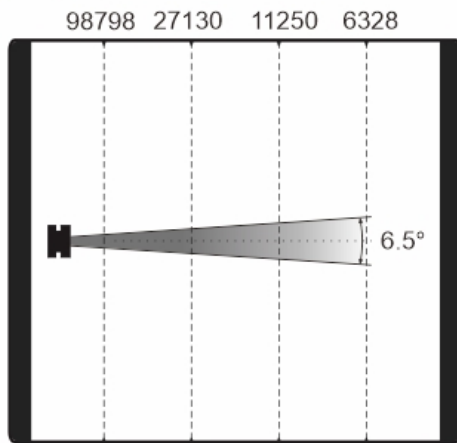
ROTATING GOBO WHEEL 1: 

## Dimensions



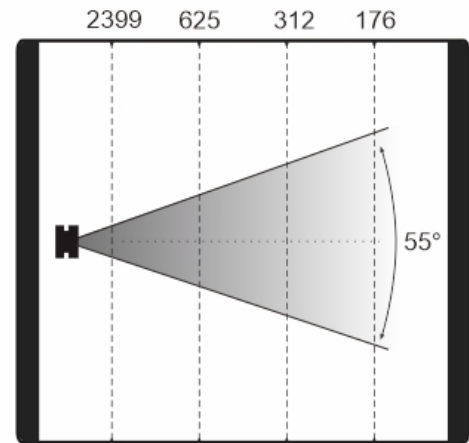
## Photometrics

Intensity LUX(6.5°)



Distance(m) 5 10 15 20  
Diameter(m) Φ0.6 Φ1.2 Φ1.8 Φ2.4

Intensity LUX (55°)



Distance(m) 5 10 15 20  
Diameter(m) Φ5.2 Φ10.4 Φ15.6 Φ20.8

Errors and omissions are possible. All specifications are subject for change without prior notice.